



THE MINIATURE 2D DECODED SCAN MODULE

The DSE0420 is the decoded version of the DE2011-DL ultra-compact high performance 2D imager engine. It is comprised of the DE2011-DL and a decoder board. The scan engine features an exceptional high-speed sensor which enables image capture at a full 60 frames per second, delivering outstanding motion tolerance. The steady white illumination is pleasant to the user's eyes.

The scan engine features an outstanding depth-of-field (DOF) reading, a nominal field-of-view, high motion tolerance, snappy reading, and excellent performance on decoding poorly printed bar codes and bar codes displayed on mobile device and computer screens.

Customers can also choose the optional beeper and/or Datalogic patented good read 'Green Spot', which provides visual confirmation of a good label read. This is particularly useful for inexperienced users to ensure the code has been successfully read and captured.

EASY INTEGRATION

The DSE0420 scan module includes Datalogic's snappy, high-performance decoder which can read all common 1D and 2D bar codes. It can be installed into the device as a whole scan module (mounted by a metal bracket), or separately for application environments that have very limited space at the front end. Customers can embed the decoder board at another location and connect it to the scan engine through an industry standard flat cable. The decoder board can be connected to the device's main board through a standard USB flat cable, which supports all USB interfaces such as USB Keyboard, USB HID and USB COM. DSE0420-D connects via a microUSB cable.

With the use of Datalogic remote management software, customers can manage the firmware of the scan module remotely.



FEATURES

- Scan engine can be installed with the decoder board as one module or separately
- Compact size is able to fit into space constrained application environments
- Highly visible center cross with four corner dots aiming system
- Steady white illumination
- Snappy reading performance with high motion tolerance
- Excellent reading of 1D or 2D codes on print or displayed on mobile device or computer screens
- Low power consumption enables longer battery life
- Datalogic's 'Green Spot' technology for visual good-read feedback (optional)
- DSE0420-D Demo Kit available, features a trigger and interface board

INDUSTRY-APPLICATIONS

- OEM Applications
 - Self-Service Kiosks
 - Medical Devices
 - Lottery Terminals
 - All-in-One POS Terminals
 - Access Control Devices
 - Small Wireless Scanning Devices
 - Handheld Terminals and PDAs

DSE0420 2D DECODED SCAN MODULE



TECHNICAL SPECIFICATIONS

DECODING CAPABILITY

1D / LINEAR CODES	Autodiscriminates all standard 1D codes including GS1 DataBar™ linear codes.
2D CODES	Aztec Code; China Han Xin Code; Data Matrix; MaxiCode; Micro QR Code; QR Code
POSTAL CODES	Australian Post; British Post; China Post; IMB; Japanese Post; KIX Post; Korea Post; Planet Code; Postnet; Royal Mail Code (RM4SCC)
STACKED CODES	EAN/JAN Composites; GS1 DataBar Composites; GS1 DataBar Expanded Stacked; GS1 DataBar Stacked; GS1 DataBar Stacked Omnidirectional; MacroPDF; MicroPDF417; PDF417; UPC A/E Composites

ELECTRICAL

CURRENT	Operating (Typical): <150mA Standby/Idle (Typical): 12mA
INPUT VOLTAGE	4.5 - 5.5 VDC +/-5% at 23 °C

ENVIRONMENTAL

AMBIENT LIGHT	0 - 100,000 lux
HUMIDITY (NON-CONDENSING)	5 - 95%
SHOCK	2500 G at 23 °C at 0.85 m sec.
TEMPERATURE	Operating: -10 to 50 °C / 14 to 122 °F Storage/Transport: -40 to 70 °C / -40 to 158 °F

INTERFACES

INTERFACES	DSE0420: 8-pin connector; DSE0420-D: microUSB
------------	--

PHYSICAL CHARACTERISTICS

DIMENSIONS	13.65 H x 40.1 W x 47.86 D mm / 0.54 H x 1.58 W x 1.88 D in (Measured as one scan module)
WEIGHT	20.0 g / 0.7 oz

READING PERFORMANCE

IMAGER SENSOR	WVGA: 752 x 480 pixels
LIGHT SOURCE	Aiming: 650 nm VLD Illumination: Steady White LEDs
PRINT CONTRAST RATIO (MINIMUM)	25%
FIELD OF VIEW	40° H x 26° V
READING ANGLE	Pitch: +/- 60°; Roll (Tilt): +/- 180°; Skew (Yaw): +/- 60°
READING INDICATORS	Datalogic 'Green Spot' Technology for visual good-read confirmation (optional)
RESOLUTION (MAXIMUM)	1D Linear: 3 mils; DataMatrix: 7.5 mils; PDF417: 5 mils

READING RANGES

TYPICAL DEPTH OF FIELD	Minimum distance determined by symbol length and scan angle. Printing resolution, contrast, and ambient light dependent.
1D / 2D CODES	3 mils Code 39: up to 10.5 cm / up to 4.1 in 5 mils Code 39: 6.5 to 21.0 cm / 2.6 to 8.3 in 13 mils EAN-13: 5.5 to 39.0 cm / 2.2 to 15.4 in 20 mils Code 39: up to 50.0 cm / up to 19.7 in 15 mils DataMatrix: 4.0 to 25.0 cm / 1.6 to 9.8 in

SAFETY & REGULATORY

ENVIRONMENTAL COMPLIANCE	Complies to China RoHS; Complies to EU RoHS
LASER CLASSIFICATION	Caution Laser Radiation - Do not stare into beam IEC 60825 Class 2

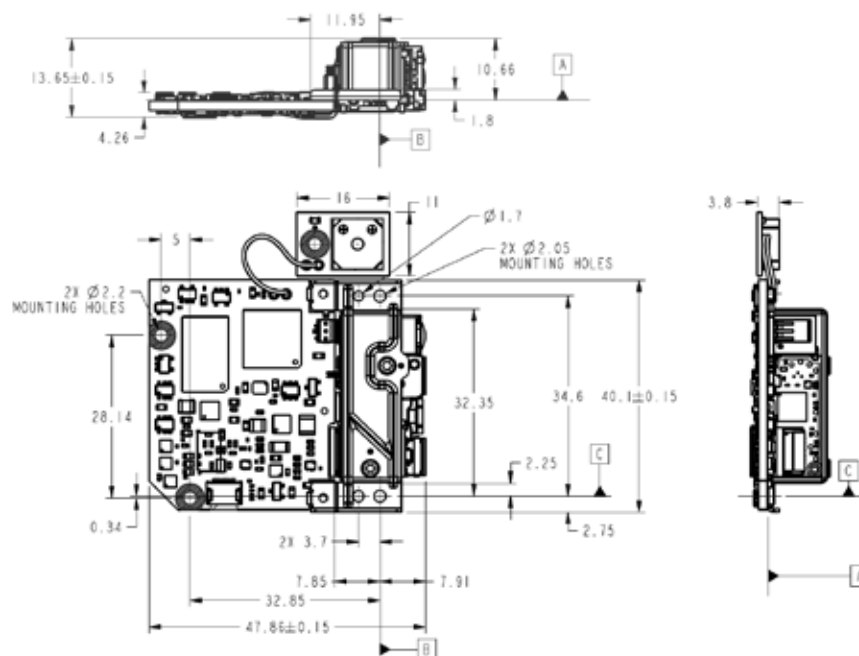
UTILITIES

DATALOGIC ALADDIN™	Datalogic Aladdin configuration program is available for download at no charge.
OPOS / JAVAPOS	JavaPOS Utilities are available for download at no charge. OPOS Utilities are available for download at no charge.
REMOTE HOST DOWNLOAD	Lowers service costs and improves operations.

WARRANTY

WARRANTY	18-Month Factory Warranty
----------	---------------------------

DIMENSIONS OF DECODED SCAN MODULE (MEASUREMENTS IN MILLIMETERS)



© 2015 Datalogic ADC, Inc. • All rights reserved. • Protected to the fullest extent under U.S. and international laws. • Copying, or altering of this document is prohibited without express written consent from Datalogic ADC, Inc. • Datalogic and the Datalogic logo are registered trademarks of Datalogic S.p.A. in many countries, including the U.S.A. and the E.U. • Datalogic Aladdin is a trademark of Datalogic ADC Group S.r.l. • All other brand and product names are trademarks of their respective owners. • Product specifications are subject to change without notice. • DS-DSE0420-EN REV A 20150507