

Datalogic USA, Inc.

959 Terry Street
Eugene, OR 97402
U.S.A.
Telephone: (541) 683-5700
Fax: (541) 345-7140

©2021 Datalogic S.p.A. and/or its affiliates

All rights reserved. Without limiting the rights under copyright, no part of this documentation may be reproduced, stored in or introduced into a retrieval system, or transmitted in any form or by any means, or for any purpose, without the express written permission of Datalogic S.p.A. and/or its affiliates.

Owners of Datalogic products are hereby granted a non-exclusive, revocable license to reproduce and transmit this documentation for the purchaser's own internal business purposes. Purchaser shall not remove or alter any proprietary notices, including copyright notices, contained in this documentation and shall ensure that all notices appear on any reproductions of the documentation.

Electronic versions of this document may be downloaded from the Datalogic website (www.datalogic.com). If you visit our website and would like to make comments or suggestions about this or other Datalogic publications, please let us know via the "Contact" page.

Disclaimer

Datalogic has taken reasonable measures to provide information in this manual that is complete and accurate, however, Datalogic shall not be liable for technical or editorial errors or omissions contained herein, nor for incidental or consequential damages resulting from the use of this material. Datalogic reserves the right to change any specification at any time without prior notice.

Trademarks


Datalogic and the Datalogic logo are registered trademarks of Datalogic S.p.A. in many countries, including the U.S.A. and the E.U.

Magellan is a trademark of Datalogic S.p.A. and/or its affiliates. All other brand and product names may be trademarks of their respective owners.

SUPPORT THROUGH THE WEBSITE

Datalogic provides several services as well as technical support through its website.

Log on to www.datalogic.com.

For quick access, from the home page click on the search icon , and type in the name of the product you're looking for. This allows you access to download Data Sheets, Manuals, Software & Utilities, and Drawings.

Hover over the Support & Service menu for access to Services and Technical Support.

MAGELLAN™ 9800i TDi

INSTALLATION GUIDE



 **DATALOGIC**

Top Down Imager

©2021 Datalogic S.p.A. and/or its affiliates

• All rights reserved • Without limiting the rights under copyright, no part of this documentation may be reproduced, stored in or introduced into a retrieval system, or transmitted in any form or by any means, or for any purpose, without the express written permission of Datalogic S.p.A. and/or its affiliates • Datalogic and the Datalogic logo are registered trademarks of Datalogic S.p.A. in many countries, including the U.S. and the E.U.

See the Safety & Regulatory Addendum included with your product for additional regulatory, safety and legal information.

www.datalogic.com



820123100 (Rev. A) September 2021

INSTALLATION

A Top Down Imager (TDi) module can be optionally installed on a Magellan 9800i scanner.

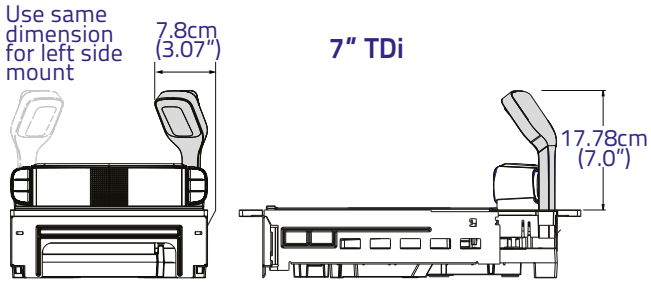
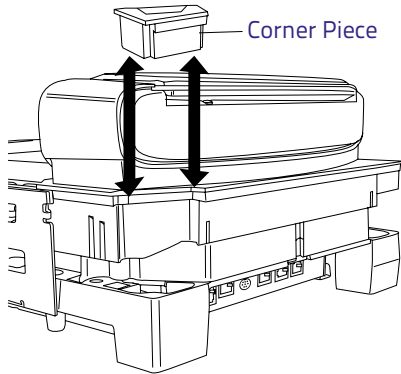


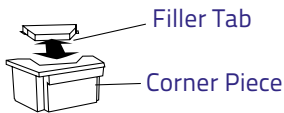
Figure 1. Top Down Imager (TDi) Dimensions

To install the TDi, proceed as follows:

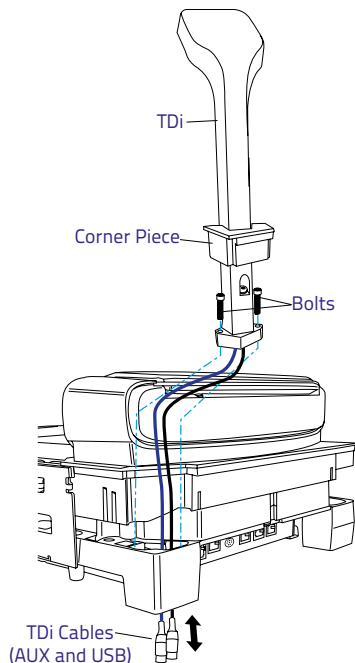
1. Determine on which corner of the scanner you want to install the TDi. It can be placed in either the left or right-hand corner just behind the scanner's bonnet. Carefully push upwards on the plastic Corner Piece to disengage it from the scanner.



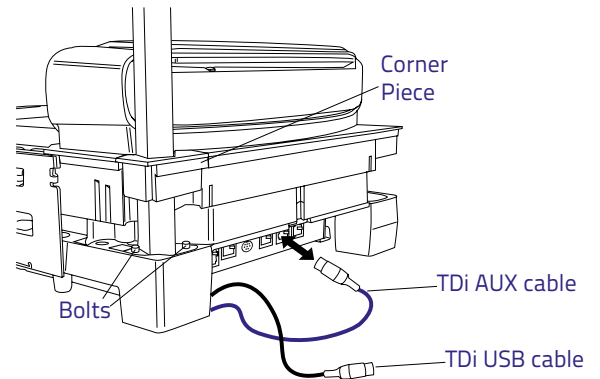
2. Gently slide the Filler Tab from the Corner Piece. This will leave an opening for the neck of the TDi.



3. Route the TDi cables down through the base of the scanner, gently pulling them all the way through on the bulkhead side of the base and seating the TDi in its corner cavity. Make sure they are not pinched or caught beneath the scanner base.



4. Use a 3mm ball end hex driver to secure the TDi with the two bolts provided for this purpose, tightening them evenly to 1.74Nm (15 in-lb).
5. Fully seat the plastic Corner Piece in the grooves intended for it on the scanner frame.
6. Verify that the cables are not pinched or caught between assemblies, then connect the AUX cable to the AUX port on the back of the scanner.



7. Connect the USB cable to the device that will control the TDi. This is typically a PC or POS.



CAUTION: Plug in the TDi cables before connecting power to the scanner.