

SC4000



SC4000 is an industrial controller designed for high speed data collection in an ID-NET™ network of Datalogic Automation's 1D/2D code readers. SC4000 offers high communication performance and connectivity to the most common fieldbus systems by means of a complete range of optional modules.

Through SC4000, a multi-station reading system can be realized in a very simple way. SC4000 allows complete monitoring of the network status, immediately providing useful information about performance and malfunctioning to users as well as to Datalogic WebSentinel™, the new surveillance software solution for the total remote control and monitoring of the readers.

Basic diagnostic and statistic information is directly available on the backlit 4-lines display while intuitive LEDS provide indications about the status of the device as well as of the entire network. When quick and reliable replacement of any code reader in the network is needed, SC4000 takes advantage of the embedded Backup & Restore memory unit.

SC4000 features IP65 (NEMA 4) protection class and 0 to 50 °C (32 to 122 °F) operating temperature.

HIGHLIGHTS

- Industrial controller for high speed data collection from up to 31 reading stations
- ID-NET™ interface for data collection network
- Open architecture allows comfortable connectivity to Ethernet TCP/IP, Profibus, DeviceNet, Ethernet/IP and other common networks.
- Complete network monitoring, statistics and diagnostics through WebSentinel™ software
- Multi-language Display and Keypad for easy network monitoring and diagnostics
- Embedded Backup and Restore feature to minimize plant downtime
- Visible Power, Communication and I/O indicators and convenient Power on/off switch
- Multi-language Genius™ SW tool allows rapid network configuration
- Flexible mounting and simplified wiring to speed up the installation.
- IP65 (NEMA 4) rated industrial design

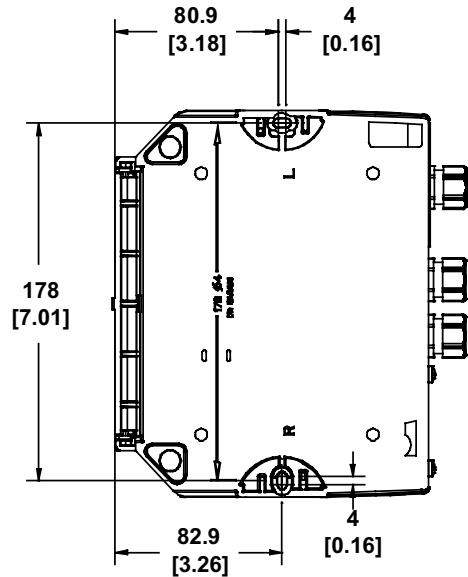
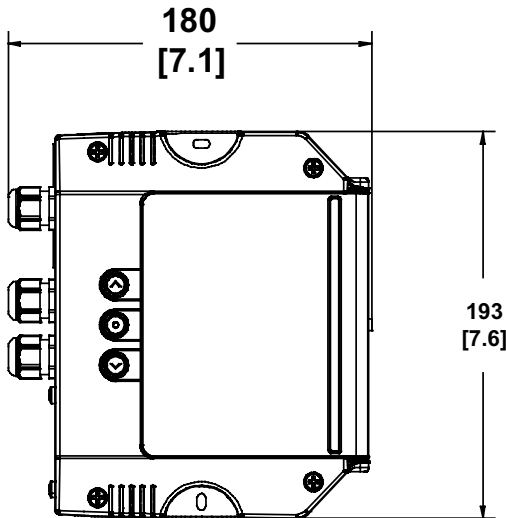
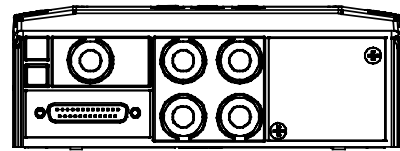
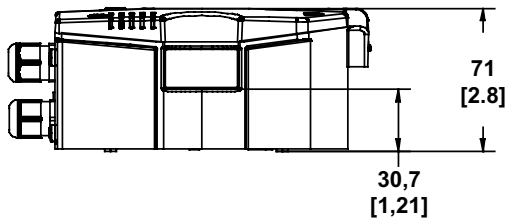
ADVANTAGES

- Industrial controller designed for high speed data collection from up to 31 Datalogic Automation's 1D/2D code readers connected in an ID-NET™ network.
- Easy and simple network configuration thanks to Genius™ multi-language software tool via RS232 serial link or remote Ethernet connectivity.
- Availability of advanced software tools for monitoring and control of data collection network.
- Increased overall network reliability and minimized system downtime thanks to the embedded Backup and Restore memory unit.
- IP65 (NEMA 4) protection class and 0 to 50 °C (32 to 122 °F) operating temperature.

APPLICATIONS

- Automated Warehousing
- Work-in-progress Control
- Product Traceability and Quality Control

DIMENSIONS



mm / inch

TECHNICAL DATA

Dimensions	193 x 180 x 71 mm (7.60 x 7.09 x 2.79 in.)
Weight	960 g. (33.86 oz.)
Power supply	10 to 30 VDC
Power consumption	5 W max
Operating temperature	0 to 50 °C (32 to 122 °F)
Storage temperature	-20 to 70 °C (-4 to 158 °F)
Humidity	90% non condensing
Protection class	IP65
Shock resistance	EN 60068-2-27 30G; 11ms; 3 shocks on each axis
Vibration resistance	EN 60068-2-6 1.5mm; 10 to 55 Hz; 2 hours on each axis
Display & keypad	20 x 4 characters & 3 keys
Diagnostic leds	Power On/Polarity Error, Trigger, IN2, OUT1, OUT2, Ready, Host Interface 1, Host Interface 2, ID-NET, OUT3
Communication interfaces	Auxiliary: RS232 up to 115.2 Kbit/s Host Interface 1: RS232/RS485 up to 115.2 Kbit/s Host Interface 2: RS232/RS485 up to 115.2 Kbit/s ID-NET™ port up to 1 Mbps Optional Host Interface modules
Communication protocol	Datalogic Application Driver (DAD Driver)
Handshaking	Message fragmentation and flow control
Address setting	HW Switches, Genius™
Exchange memory for i/o data	Up to 128 bytes
Digital inputs	Two SW programmable, optocoupled and polarity insensitive
Digital outputs	Three SW programmable optocoupled
Device programming	Windows™ based SW (Genius™) via Serial or Ethernet link Serial Host Mode Programming sequences
Compatible devices	DS2100N, DS2400N, DS4800, MATRIX 200™, MATRIX 400™

MODELS AND ACCESSORIES

MODELS	
Order No.	Description
935201000	SC4000-1000 ID-NET CONTROLLER STD
ACCESSORIES	
Order No.	Description
93ACC1851	BM200 ETHERNET TCP/IP MODULE
93ACC1852	BM210 ETHERNET TCP/IP IP65 MODULE
93ACC1810	BM300 PROFIBUS MODULE
93ACC1811	BM310 PROFIBUS IP65 MODULE
93ACC1814	BM400 DEVICENET MODULE
93ACC1812	BM500 ETHERNET/IP MODULE
93ACC1813	BM510 ETHERNET/IP IP65 MODULE
93ACC1840	BM520 ETHERNET/IP IP54 MODULE
93ACC1815	BM600 CAN OPEN MODULE
93ACC1816	BM700 PROFINET MODULE
93ACC1845	BM1100 CC-LINK MODULE
93ACC1848	BM1200 MODBUS TCP MODULE
93ACC1849	BM1210 MODBUS TCP IP65 MODULE
93ACC1821	BA100 DIN RAIL ADAPTERS
93ACC1822	BA200 BOSCH ADAPTERS
93ACC1847	BA900 TWO CABLE GLANDS PANEL

Rev. 02, 11/2014