

# Magellan™ 9800i Top Down Reader (TDR) Typical Field of View

## Field of View

Each top down reader model has a different read zone location, as illustrated below. The placement of these read zones were chosen to maximize the overall performance of the scanner.



**NOTE** The read zones depicted are typical, and are not guaranteed read zones. The actual read performance is affected by label quality, contrast, size and location, as well as lighting and rate of travel .

Figure 1, Figure 2 and Figure 3 portray typical read zones for 13 mil and 7.5 mil labels for each TDR model.

Figure 1. Short (7") TDR

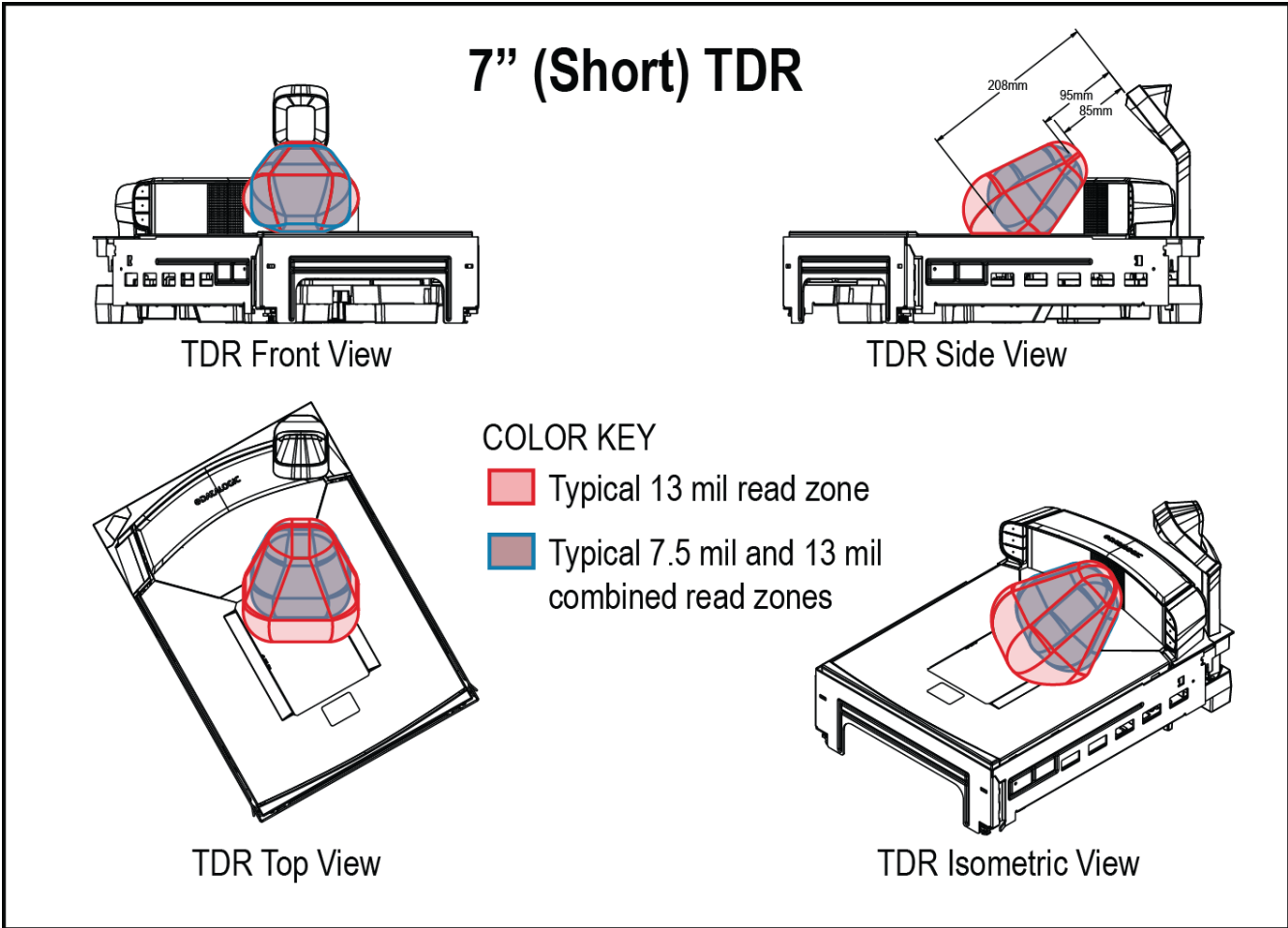


Figure 2. Medium (9") TDR

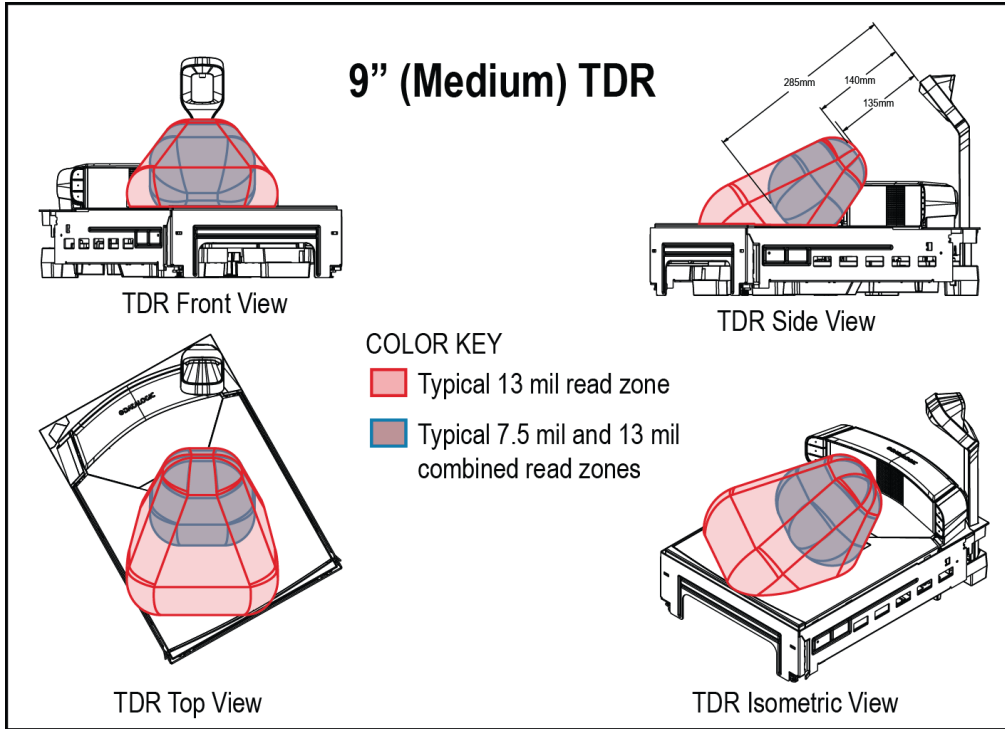


Figure 3. Tall (12.4") TDR

